



HRE-2000-4 HEAT REACTIVATED DESICCANT AIR DRYER GENERAL ARRANGEMENT

TOLERANCES UNLESS
OTHERWISE SPECIFIED:

- FRACTIONS = ± 1/4 "
- ANGLES = ± 3°
- INCHES = ± 1/2 "
- FINISH = 250

THE SPECIFICATIONS AND DRAWINGS DISCLOSED HEREIN ARE THE SOLE PROPERTY OF ALTEC AIR, AND SHALL NOT BE COPIED OR USED AS THE BASIS FOR SALE OR MANUFACTURE WITHOUT EXPRESS WRITTEN PERMISSION.

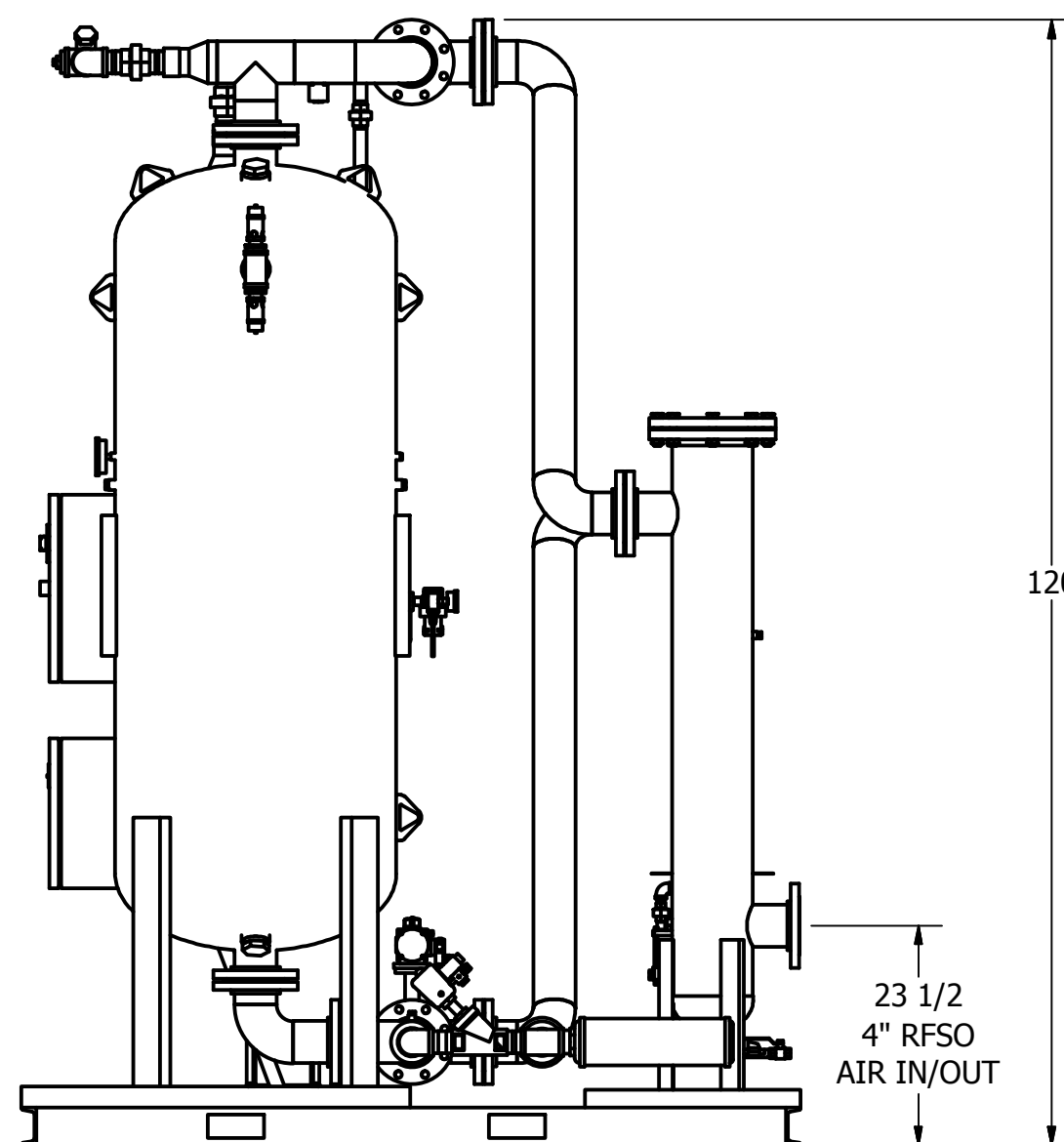
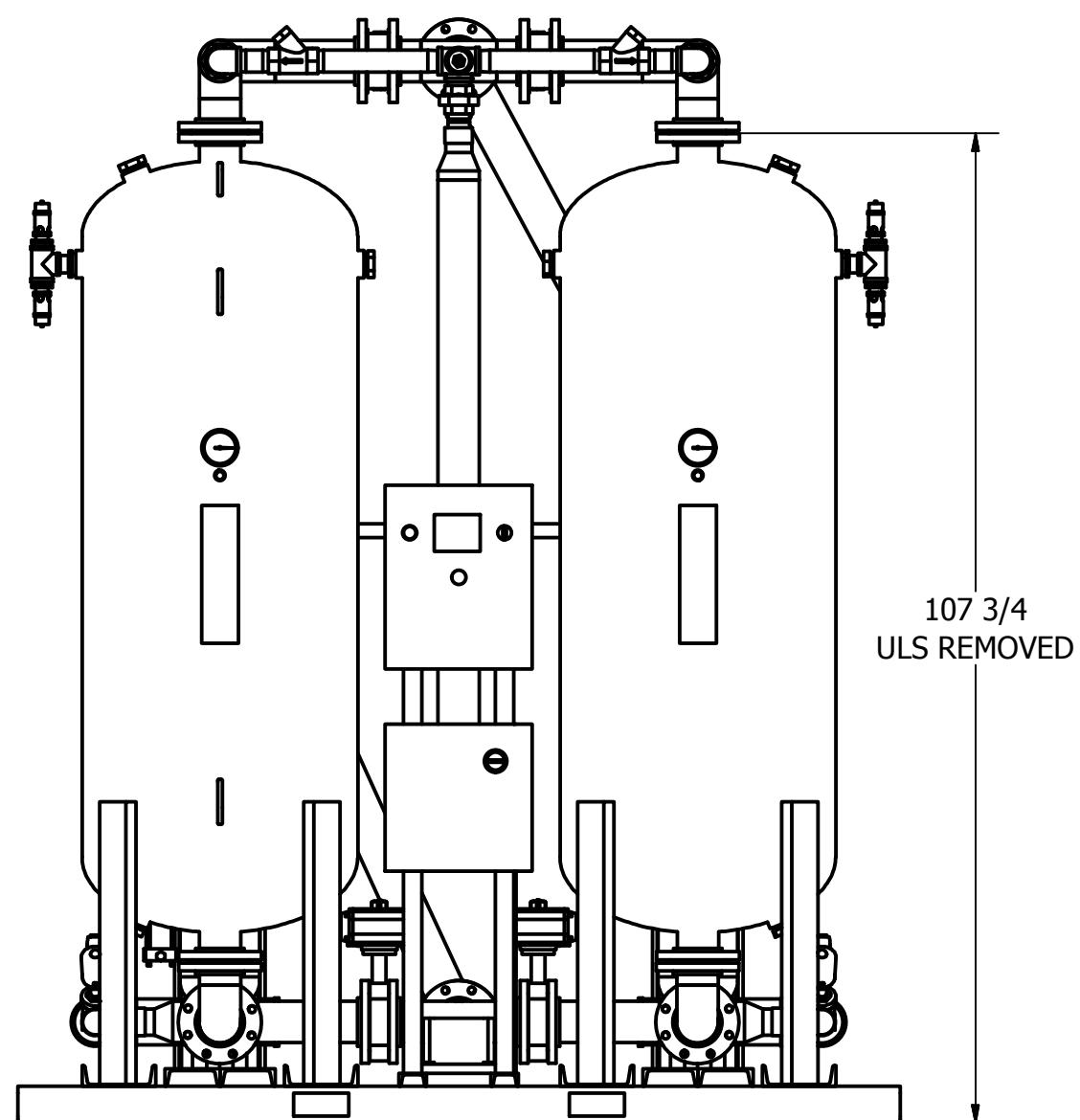
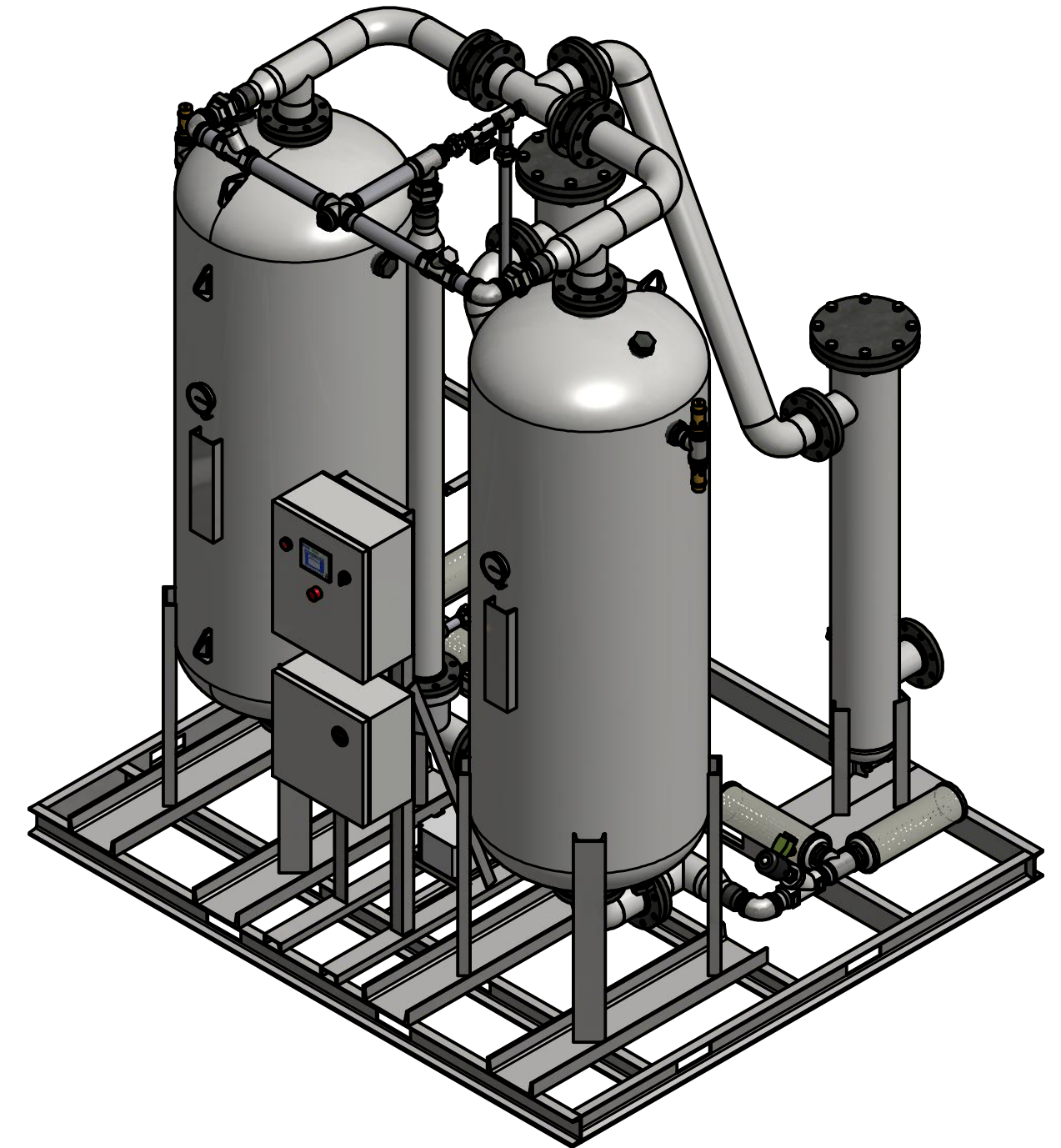
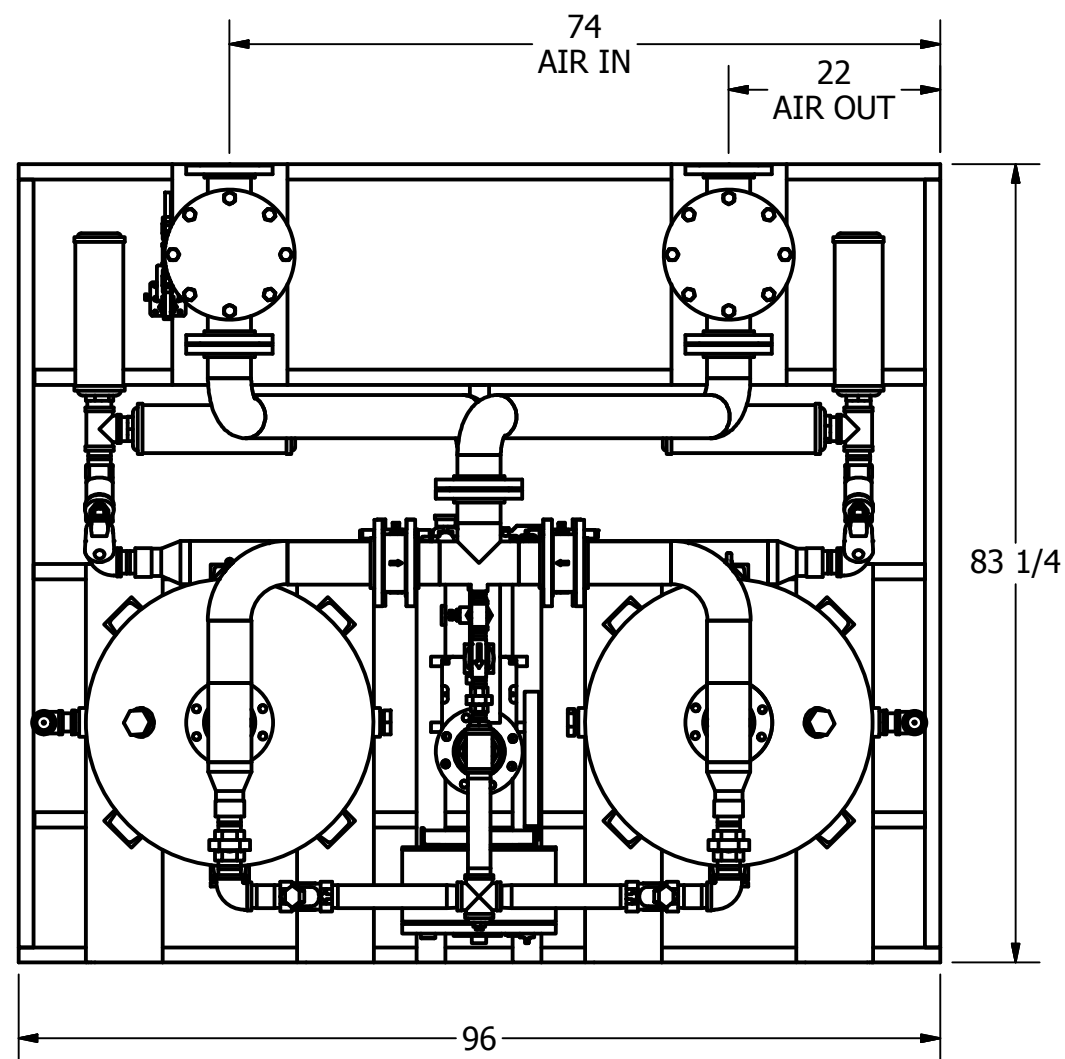
REVISION LOG

REV.	ECO.	DESCRIPTION	DATE	APPROVED
D	1156	ADDED DIMENSION	6/22/2021	WS

DRAWING NO. **AT20-576** REV. **D**

DRAWN: MR DATE: 5/7/2015
CHECKED: DATE:

SCALE: N/A SHEET: 1 OF 2



PRELIMINARY



HRE-2000-4 HEAT REACTIVATED DESICCANT AIR DRYER GENERAL ARRANGEMENT

TOLERANCES UNLESS
OTHERWISE SPECIFIED:

- FRACTIONS = ± 1/4 "
- ANGLES = ± 3°
- INCHES = ± 1/2 "
- FINISH = 250

THE SPECIFICATIONS AND DRAWINGS DISCLOSED HEREIN ARE THE SOLE PROPERTY OF ALTEC AIR, AND SHALL NOT BE COPIED OR USED AS THE BASIS FOR SALE OR MANUFACTURE WITHOUT EXPRESS WRITTEN PERMISSION.

REVISION LOG

REV.	ECO.	DESCRIPTION	DATE	APPROVED
D	1156	ADDED DIMENSION	6/22/2021	WS

DRAWING NO.

AT20-576

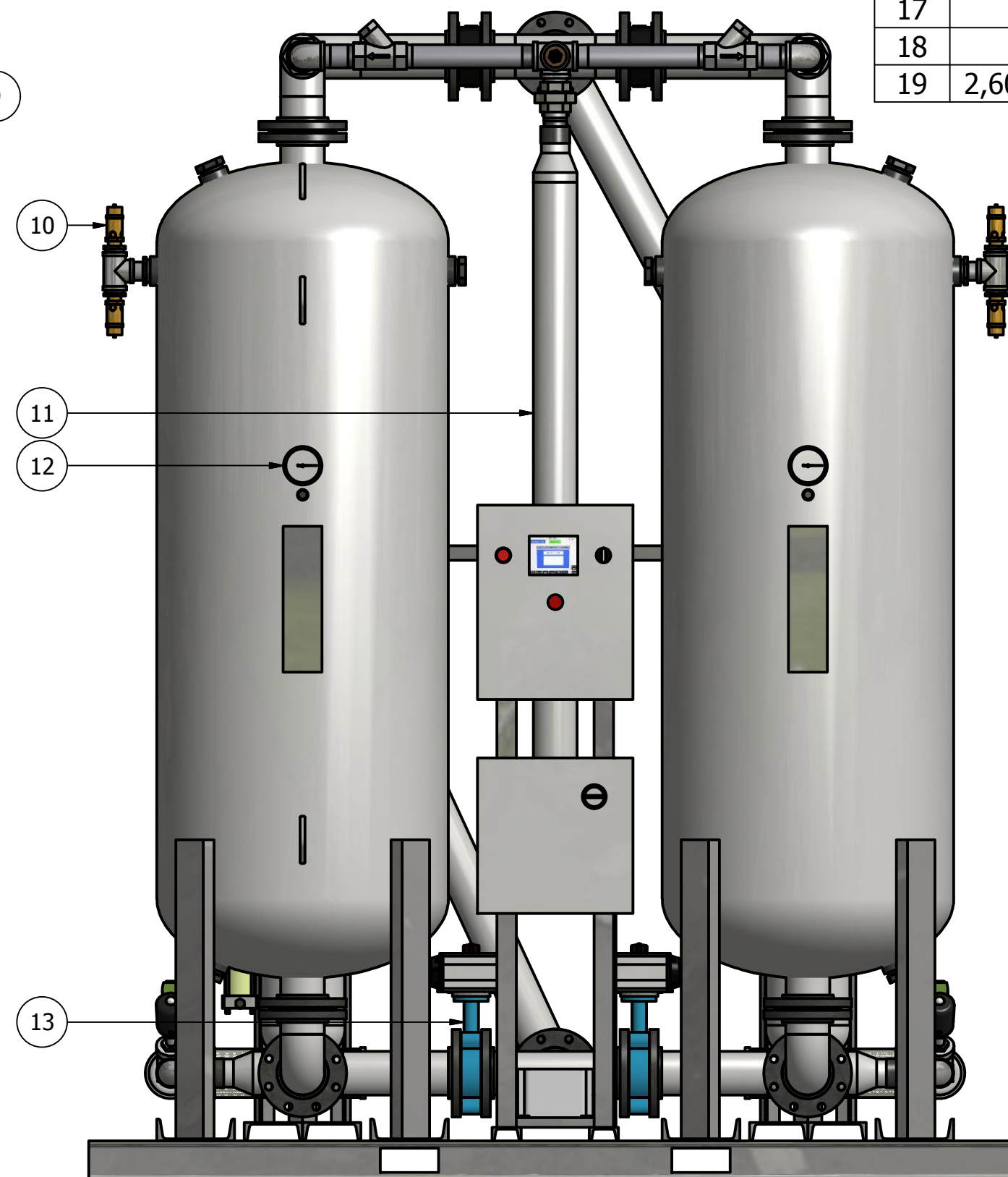
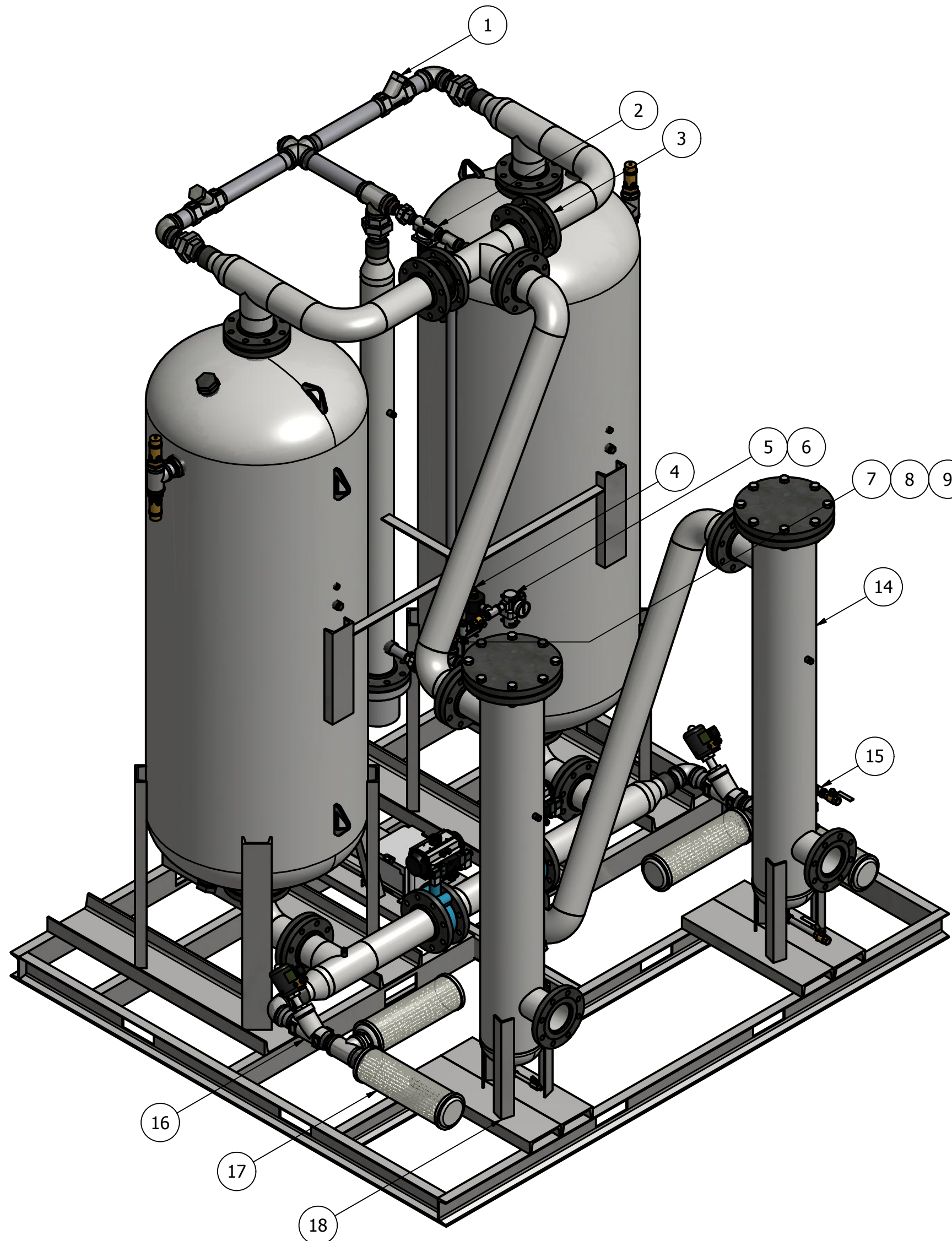
REV.
D

DRAWN: MR DATE: 5/7/2015
CHECKED: DATE:

SCALE: N/A SHEET: 2 OF 2

PARTS LIST

ITEM	QTY	DESCRIPTION
1	2	CHECK VALVE, PURGE
2	1	SOLENOID VALVE, REPRESS
3	2	CHECK VALVE, OUTLET
4	1	PARTICULATE FILTER, CONTROL
5	1	PRESSURE REGULATOR, CONTROL
6	1	PRESSURE GAUGE, CONTROL
7	1	GATE VALVE, PURGE
8	1	DEW POINT MONITOR (OPTIONAL)
9	1	PRESSURE GAUGE, PURGE
10	4	RELIEF VALVE, TANK
11	1	25 KW HEATER
12	2	PRESSURE GAUGE, TANK
13	2	BUTTERFLY VALVE, INLET
14	1	COALESCER PRE-FILTER
15	1	ZERO LOSS DRAIN
16	2	ANGLE BODY VALVE, EXHAUST
17	4	MUFFLER, EXHAUST
18	1	PARTICULATE AFTER-FILTER
19	2,600 LBS	DESICCANT



PRELIMINARY